

## PF4200 Series Fixed Displacement Pumps

Also refer to "Checkball Pump Installation and Operating Recommendations" Bulletin PSI.CB ([dynexpumpinstallation.pdf](#))

### CONTACT INFORMATION

#### USA Headquarters

Dynex/Rivett Inc.  
770 Capitol Drive  
Pewaukee, WI 53072 U.S.A.  
Tel: 262-691-2222  
FAX: 262-691-0312  
E-mail: [sales@dynexhydraulics.com](mailto:sales@dynexhydraulics.com)

#### Power Units & Systems

Dynex/Rivett Inc.  
54 Nickerson Road  
Ashland, MA 01721 U.S.A.  
Tel: 508-881-5110  
FAX: 508-881-6849  
E-mail: [ashland@dynexhydraulics.com](mailto:ashland@dynexhydraulics.com)

#### European Sales

Dynex/Rivett Inc.  
Unit C5 Steel Close, Little End Road, Eaton Socon,  
Huntingdon, Cambs. PE19 8TT United Kingdom  
Tel: +44 (0) 1480 213980  
FAX: +44 (0) 1480 405662  
E-mail: [sales@dynexhydraulics.co.uk](mailto:sales@dynexhydraulics.co.uk)

Download Dynex Product Specifications!

[www.dynexhydraulics.com](http://www.dynexhydraulics.com)



#### BROCHURE NOTES:

Specifications shown were in effect when published. Since errors or omissions are possible, contact your sales representative or the sales department for the most current specifications before ordering. Dynex reserves the right to discontinue products or change designs at any time without incurring any obligation.



# PF4200 SERIES



## PUMP DESCRIPTION

These fixed displacement high-pressure checkball pumps are capable of intermittent pressures to 20 000 psi (1380 bar).

They are compatible with a wide range of fluids including diesel calibration fluid, Skydrol and other phosphate ester fluids, various military fluids, and other low-viscosity or low-lubricity fluids.

Bi-directional shaft rotation provides constant direction of output flow regardless of the direction of drive shaft rotation.

## Mounting

S.A.E. D 4-bolt pattern with 0.25 inch (6,4 mm) pilot engagement.

## Shaft Options

Standard keyed shaft, 1.250 inch (31,75 mm) diameter;

Optional spline shaft, 1.248/1.247 inch diameter standard S.A.E. 14 tooth, 12/24 D.P. 30° involute spline.

## Outlet Port Options

Standard pressure models have S.A.E. ports. High pressure "H" option models require the use of outlet port option "A" (Autoclave Medium Pressure, Butech M/P or equivalent fittings), or outlet port option "B" (British Standard Pipe fittings).

## Inlet Conditions

Pumps may require pressurized inlet conditions at higher speeds. Failure to meet minimum inlet requirements will result in slight flow reduction. Refer to the table.

## Seal Options

Options include Fluorocarbon (Viton® or Fluorel®) or EPR for use with some phosphate ester fluids.

## Specifications<sup>①</sup>

Pump Models	Output Flow at 1500 rpm <sup>②</sup>		Output Flow at 1800 rpm <sup>②</sup>		Rated Pressure		Maximum Intermittent Pressure		Rated Speed rpm <sup>③</sup>	Maximum Speed rpm <sup>③</sup>
	U.S. gpm	L/min	U.S. gpm	L/min	psi	bar	psi	bar		
PF4203-10	1.8	6,9	2.2	8,3	8000	560	8000	560	1800	1800
PF4205-10	3.0	11,4	3.6	13,6	8000	560	8000	560	1800	1800
PF4208-10	4.3	16,4	5.2	19,7	8000	560	8000	560	1800	1800
PF4209-10	4.9	18,6	5.9	22,3	8000	560	8000	560	1800	1800
PF4210-10	5.6	21,1	6.7	25,4	8000	560	8000	560	1800	1800
PF4203H-10	1.5	5,9	1.9	7,2	15 000	1040	20 000	1380	1800	1800
PF4205H-10	2.6	10,0	3.2	12,1	15 000	1040	20 000	1380	1800	1800
PF4208H-10	4.0	15,4	4.9	18,5	12 000	830	17 000	1170	1800	1800
PF4209H-10	4.6	17,6	5.6	21,2	12 000	830	17 000	1170	1800	1800
PF4210H-10	5.4	20,4	6.5	24,6	10 000	700	15 000	1040	1800	1800

① Specifications are based on the use of mineral oil operating within proper viscosity guidelines. Refer to "Fluid Guidelines" below and on page 5.

② Output flow based on typical performance at rated pressure with pressurized inlet where required, as shown in the table.

③ Contact the sales department for applications requiring operation above maximum speed.

## Minimum Inlet Pressure<sup>①</sup>

Pump Models	Operating Speed					
	1200 rpm		1500 rpm		1800 rpm	
	psi	bar	psi	bar	psi	bar
PF4203	0	0	0	0	0	0
PF4205	0	0	0	0	0	0
PF4208	0	0	0	0	5	0,4
PF4209	0	0	5	0,4	10	0,7
PF4210	0	0	5	0,4	10	0,7

① Values shown are based on fluid viscosity of 100 SUS (20 cSt).

High pressure shaft seals are standard on all PF4200 Series models.

## Weight (Mass)

140 lb (64 kg)

## PUMP SELECTION

The table shows specifications for standard pressure and high pressure "H" option models. Refer to "Typical Model Code" on page 4 to specify shaft, seal and outlet port options.

## Maximum Pressure

Checkball pumps are especially suited for applications susceptible to excessive pressure spikes.

The intermittent pressures listed are the maximum pressures a pump can sustain for occasional, short periods of operation without appreciably reducing life expectancy.

## Fluid Guidelines

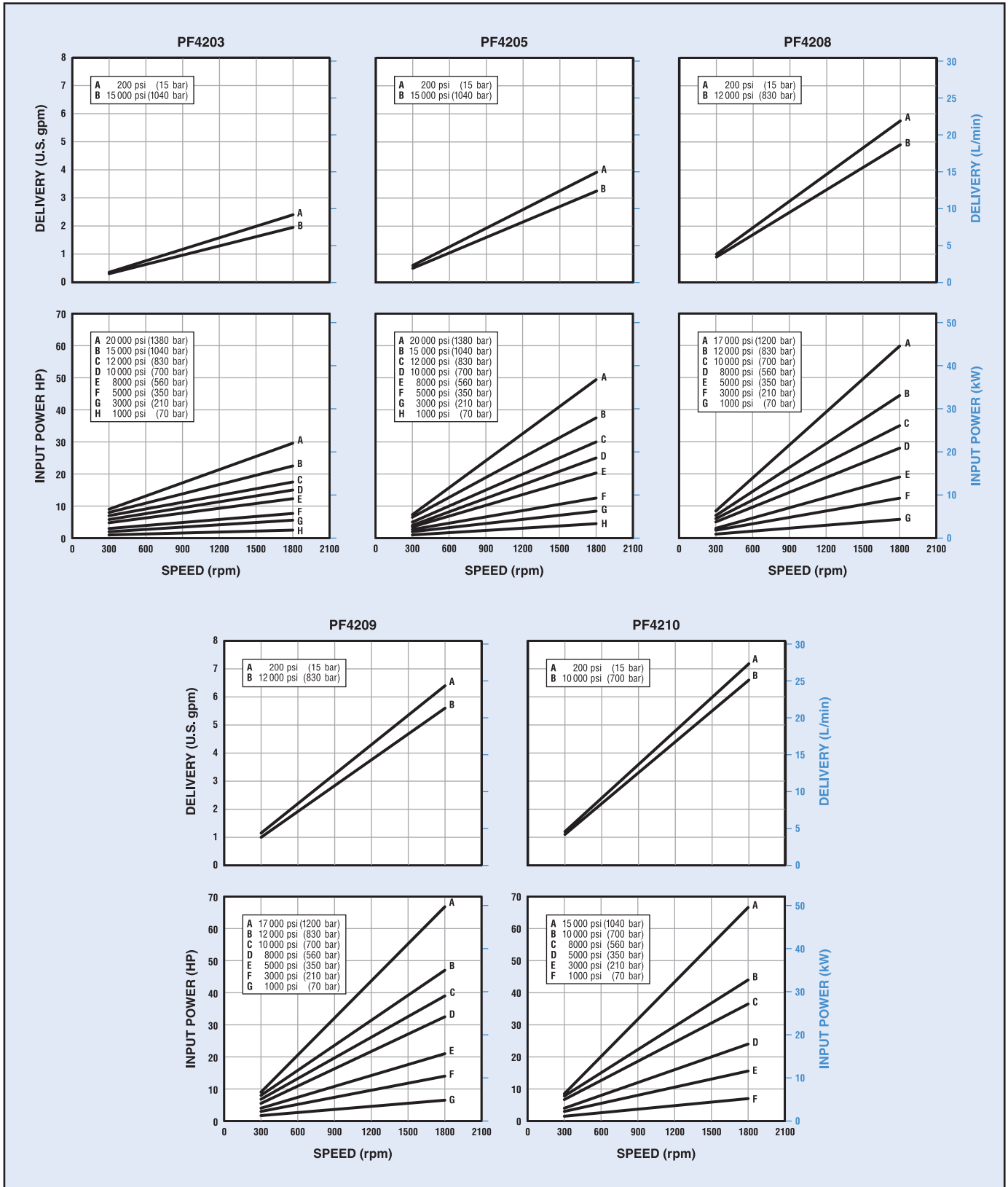
See page 5 for "Fluid Recommendations".

Some pump models may require reduced operating pressures when using low-lubricity fluids.

Because of the wide range of fluid characteristics, contact the sales department for a review of any application using non-petroleum based fluids.

# PF4200 SERIES

## Typical Performance Curves



Typical performance curves are based on 100 SUS (20 cSt) mineral oil with pressurized inlet where required. Refer to the "Minimum Inlet Pressure" table on page 2.

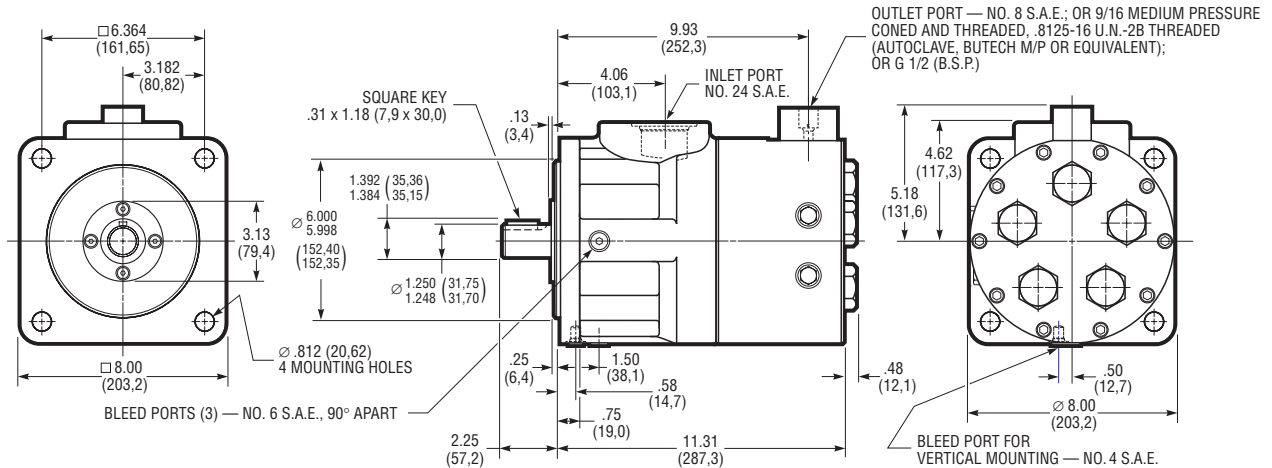
# PF4200 SERIES

## INSTALLATION

All dimensions are shown in inches (millimeters in parentheses) and are nominal. See page 2 for spline shaft data. Refer to Bulletin PSI.CB for general installation and operating recommendations.

The drawing shows dimensions common to all PF4200 Series pumps. Note, however, that Model PF4203 has three pistons, rather than five.

As shown, the outlet port on these pumps is machined in a block integrally mounted to the pump barrel. Refer to "Outlet Port Configurations" on page 6 and "Typical Model Code" below to specify the port.



## TYPICAL MODEL CODE

PF42 03 H - S XE A - 1 0

<b>Pump Type</b>		<b>Ports</b>		<b>Design Number</b>	<b>Modification Number</b>
PF42	Fixed Displacement Checkball Pump	<b>No Code</b>	Inlet No. 24 S.A.E.; Outlet No. 8 S.A.E. <sup>①</sup>		
<b>Output Flow (At 1800 rpm, at rated pressure)<sup>①②</sup></b>		<b>A</b>	Inlet No. 24 S.A.E.; Outlet 9/16 Medium Pressure Coned and Threaded, .8125-16 U.N.-2B Threaded <sup>②</sup>		
03	Standard: 2.2 gpm (8,3 L/min) "H" Option: 1.9 gpm (7,2 L/min)	<b>B</b>	Inlet No. 24 S.A.E.; Outlet G 1/2 (B.S.P.) <sup>③</sup>		
05	Standard: 3.6 gpm (13,6 L/min) "H" Option: 3.2 (12,1 L/min)	<sup>①</sup> Not recommended for operation above 8000 psi (560 bar). Contact the fitting manufacturer for the pressure rating of the fitting. <sup>②</sup> High pressure port uses Autoclave Medium Pressure, Butech M/P or equivalent fitting. <sup>③</sup> Outlet port uses British Standard Pipe fitting. Not recommended for operation above 10 000 psi (700 bar).			
08	Standard: 5.2 gpm (19,7 L/min) "H" Option: 4.9 gpm (18,5 L/min)	<b>Seals</b>			
09	Standard: 5.9 gpm (22,3 L/min) "H" Option: 5.6 gpm (21,2 L/min)	<b>XE</b>	All EPR with High Pressure Shaft Seal <sup>①</sup>		
10	Standard: 6.7 gpm (25,4 L/min) "H" Option: 6.5 gpm (24,6 L/min)	<b>XV</b>	All Fluorocarbon (Viton® or Fluore®) with High Pressure Shaft Seal		
<sup>①</sup> Output flows based on typical performance at rated pressure. Refer to performance curves for flows at lower pressures. <sup>②</sup> Model PF4203 has three pistons; other models have five pistons.		<sup>①</sup> Contact the sales department for recommended operating conditions for any application using non-petroleum based fluids.			
<b>Operating Pressure</b>		<b>Drive Shaft</b>			
<b>No Code</b>	Standard Pressure	<b>No Code</b>	Keyed, 1.250 inch (31,75 mm) diameter		
<b>H</b>	High Pressure <sup>①</sup>	<b>S</b>	S.A.E. Spline, 1.250 inch (31,75 mm)		
<sup>①</sup> Requires "A" or "B" port option.					

## FLUID RECOMMENDATIONS

### Mineral Oil

A high-grade premium petroleum-based fluid should be used to assure long component and system life. The fluid should have a combination of anti-wear, demulsibility, rust protection, oxidation-resistant and foam-resistant properties.

### Special Fluids

Various pump models are available for use with water-based fluids, diesel calibration fluids, phosphate ester fluids, machining coolant, brake fluid, various military fluids and other special fluids.

PF4300 Series pumps are compatible with a variety of water-based fluids. These models, which are specifically rated for use with low-lubricity fluids.

Some pump models may require reduced operating pressures when using low-lubricity fluids.

Because of the wide range of fluid characteristics, contact the sales department for a review of any application using non-petroleum based fluids.

### Viscosity Specifications

Using fluid with the correct viscosity range is critical to achieving long component life.

Fluid conditions outside the "Optimum" range shown in the table may result in reduced pump output, requiring pressurized inlet conditions. For more information, contact the sales department.

## Hydraulic Fluid Viscosity<sup>①</sup>

Pump Models	Operating				Start-up <sup>②</sup>		Optimum		
	Minimum		Maximum		SUS	cSt	SUS	cSt	
	SUS	cSt	SUS	cSt					
<i>Fixed Displacement Pumps:</i>									
PF500-10	52	8	1911	413	3706	800	98 to 324	20 to 70	
PF1000-10	59	10	1911	413	3706	800	98 to 324	20 to 70	
PF2000	59	10	1911	413	1911	413	98 to 324	20 to 70	
PF2000 <sup>②</sup>	34	2,3	1911	413	1911	413	98 to 324	20 to 70	
PF3000-10	59	10	1911	413	3706	800	98 to 342	20 to 70	
PF4000-30	34	2,3	1911	413	1911	413	98 to 324	20 to 70	
PF4200-10	34	2,3	1911	413	1911	413	98 to 324	20 to 70	
PF4300-11	31	1,5	927	200	927	200	–	–	
PF6000	34	2,3	1911	413	1911	413	98 to 324	20 to 70	
<i>Mechanical Variable Delivery Pumps:</i>									
PV4000	34	2,3	1911	413	1911	413	98 to 324	20 to 70	
PV6000	34	2,3	1911	413	1911	413	98 to 324	20 to 70	
<i>Hydraulic Variable Delivery Pumps:</i>									
PV6000	34	2,3	1911	413	1911	413	98 to 324	20 to 70	

① Fluid conditions outside the "Optimum" range may result in reduced output, requiring pressurized inlet conditions. Contact the sales department.

② Models with special mounting.

## MINIMUM FILTRATION LEVELS

Pump inlet: 150 μ nominal;

Pressure or return line: 25 μ nominal.

While finer filtration levels than these are desirable and will result in longer component life, restricting flow to the pump inlet should be avoided. Minimum recommended inlet conditions must be maintained.

If a system component fails resulting in fluid contamination, it is important to drain and clean the reservoir, all lines, filter screens and all components. Refill with new fluid.

## INSTALLATION AND OPERATION

Refer to separate Bulletin PSI.CB for general installation and operating recommendations.

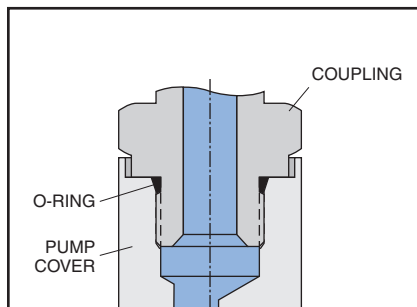
That brochure includes information on mounting, shaft loading, sizing inlet pipe and hose, air bleed procedures and initial start-up. Guidelines for maintenance, repair and trouble-shooting are also included.

## PORT DESCRIPTIONS

Dynex pumps are available with outlet ports suitable for use at various pressure ranges. Refer to the appropriate "Specification Table" or "Typical Model Code" to specify the required port.

Contact the fitting manufacturer to ensure the selected fittings are rated for the maximum pump operating pressure.

### S.A.E. Straight Thread Ports



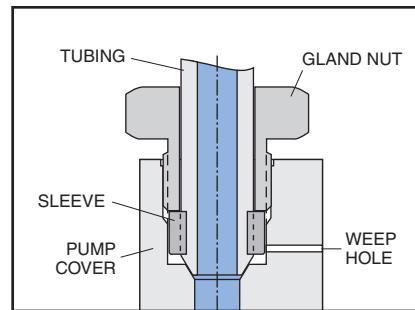
*Typical S.A.E. Straight Thread port connection*

The Straight Thread connection (S.A.E. J1926/1) is sometimes referred to as an S.A.E. O-ring Boss, or ORB. The port consists of a machined spotface surface, a tapered seal cavity and a straight thread port.

The fitting forms a seal by compressing the o-ring in the seal cavity with the underside of the flanged wrench flat. Some adjustable fittings, such as elbows and tees, use a locknut with a captive backup washer for compression.

S.A.E. Straight Thread ports are not recommended for operation above 8000 psi (560 bar). Also, the maximum pressure of pumps with No. 12 S.A.E. outlet ports may be limited by the pressure rating of the available fitting. Contact the fitting manufacturer for ratings.

### Coned and Threaded Ports



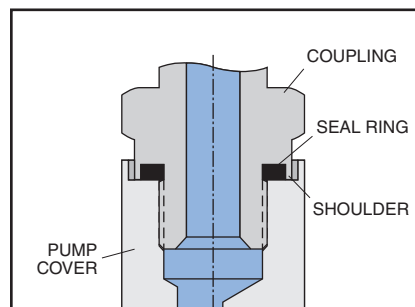
*Typical Coned and Threaded port connection*

High-pressure pumps are available with coned and threaded outlet ports, which use Autoclave Medium Pressure, Butech M/P, or equivalent fittings.

These fittings provide a metal-to-metal seal with an interference fit, not requiring an o-ring. The gland nut holds the sleeve and tubing against the cone surface.

A weep hole, visible on the outside of the pump cover, acts as an indicator of any abnormal leakage caused by system conditions (i.e., excessive pressure). It allows any fluid which does leak past the sealing surfaces to escape, preventing pressure build-up and possible damage.

### British Standard Pipe Ports



*Typical port connection with British Standard Pipe (Parallel) fitting with shoulder*

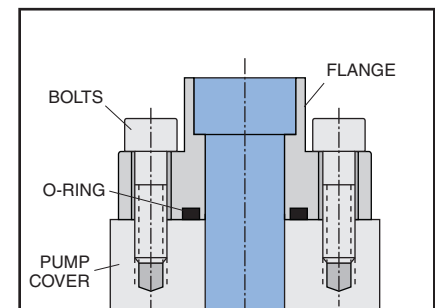
High-pressure pumps are available with flat face ports with British Standard Pipe (B.S.P.) parallel threads (BS 2779 or ISO 228), ideal for use on some European applications.

The fitting forms a seal by compressing a flat elastomer ring on a machined spotface surface. There are several sealing methods for these ports.

The recommended fitting has a recessed seal cavity formed by a shoulder on the underside of the flanged wrench flat (Voss "Peflex", Form B Shoulder Seal; or Parker Type E, "Elastic" Seal; or equivalent).

B.S.P. ports are not recommended for operation above 10 000 psi (700 bar). Contact the fitting manufacturer, to ensure the selected fittings are rated for the maximum pump operating pressure.

### S.A.E. 4-Bolt Flange Ports



*Typical S.A.E. 4-Bolt Flange port connection*

Flange connections are often used for higher flows requiring larger diameter tubing. The port consists of an unthreaded port with four bolt holes in a rectangular pattern on a machined face around the port (S.A.E. J518).

A typical fitting consists of a flanged head with a welded tube and a captive flange with bolt holes. A seal is formed by an o-ring in the groove on the underside mounting surface of the flange head. As the flange bolts are alternately tightened, the o-ring is compressed between the flange head and the machined face on the pump.

To make mounting easier in tight spaces a two-piece split-flange is often used.